

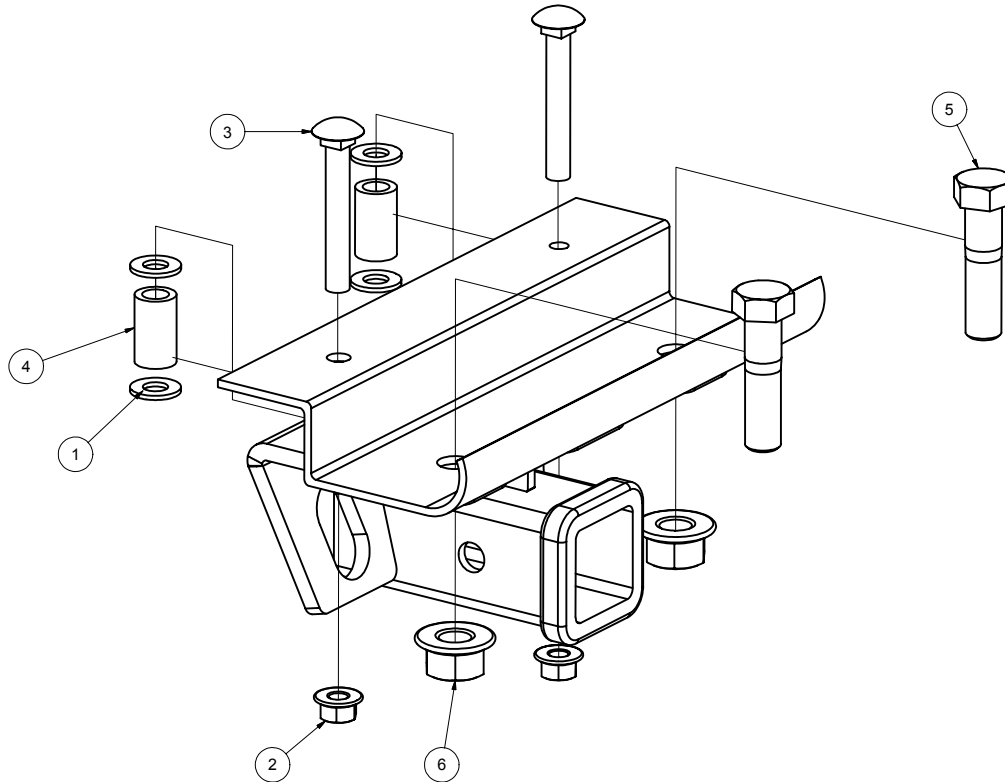
E-5

DODGE BUMPER HITCH

6/12/2007

GROSS LOAD CAPACITY WHEN USED AS A WEIGHT CARRYING HITCH: 4,000 LBS. TRAILER WEIGHT & 400 LBS. TONGUE WEIGHT.
*****DO NOT EXCEED VEHICLE MANUFACTURER'S RECOMMENDED TOWING CAPACITY.*****

Parts List			
ITEM	QTY	PART NUMBER	DESCRIPTION
1	4	1/2" WASHER	1/2" FLAT WASHER
2	2	1/2 - 13	HEX FLANGE NUT
3	2	1/2-13 x 3 1/2	CARRIAGE BOLT
4	2	CM-E5-TS	.875" O.D.x .156" WALL x 1.50" LONG
5	2	3_4 - 10 x 3 HEX	HEX HEAD BOLT-NC
6	2	3/4-10	HEX FLANGE NUT



HITCH WEIGHT: 12.5 LBS.

INSTALL TIME: 15 MINUTES

INSTALL NOTES:

**NO DRILLING
REQUIRED**

INSTALLATION STEPS

- 1) Position currt hitch to the under side of the bumper
- 2) Align all 1/2" and 3/4" holes in the hitch with holes in the Dodge factory bumper.
- 3) Securely fasten hitch into place using the bolts and flange provided

-NOTE- Be sure to use the 1 1/2" spacer as needed.

Torque all fasteners to the following specifications. (1/2" = 55 lb-ft) (3/4" = 260 lb-ft)

**PERIODICALLY CHECK THIS RECEIVER HITCH TO ENSURE THAT ALL FASTENERS
ARE TIGHT AND THAT ALL STRUCTURAL COMPONENTS ARE SOUND.**

Curt Manufacturing Inc., warrants this product to be free of defects in material and/or workmanship at the time of retail purchase by the original purchaser. If the product is found to be defective, Curt Manufacturing Inc., may repair or replace the product, at their option, when the product is returned, prepaid, with proof of purchase. Alteration to, misuse of, or improper installation of this product voids the warranty. Curt Manufacturing Inc.'s liability is limited to repair or replacement of products found to be defective, and specifically excludes liability for incidental or consequential loss or damage.

6/13/2001